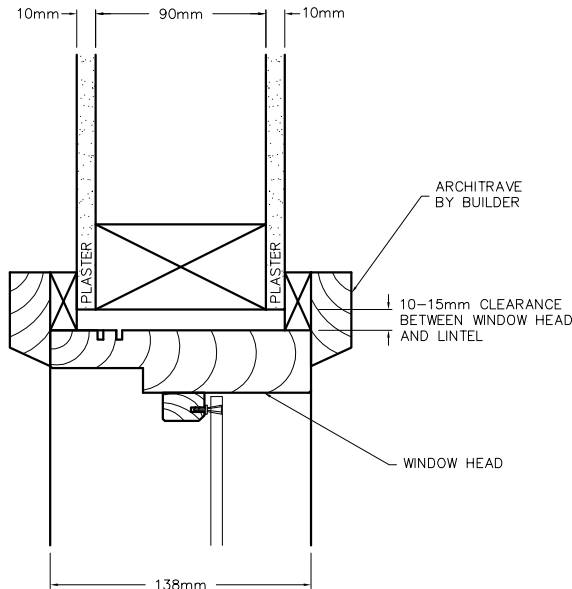


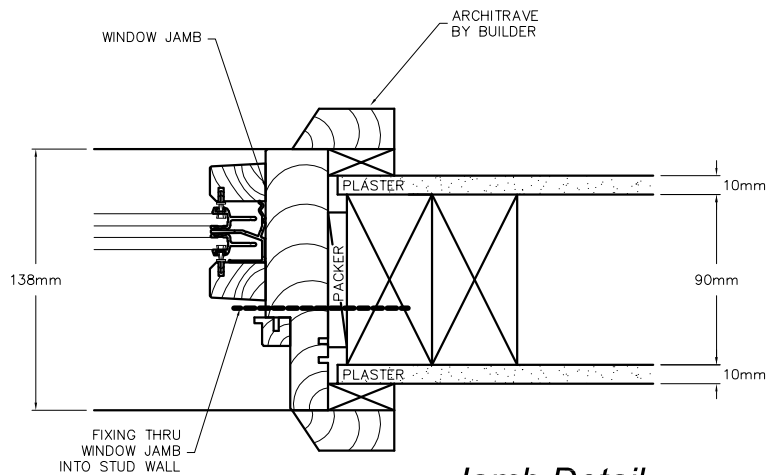
SASHLESS DOUBLE HUNG WINDOWS

BUILD IN DETAILS INTERNAL STUD WALL 138mm Allround Jamb

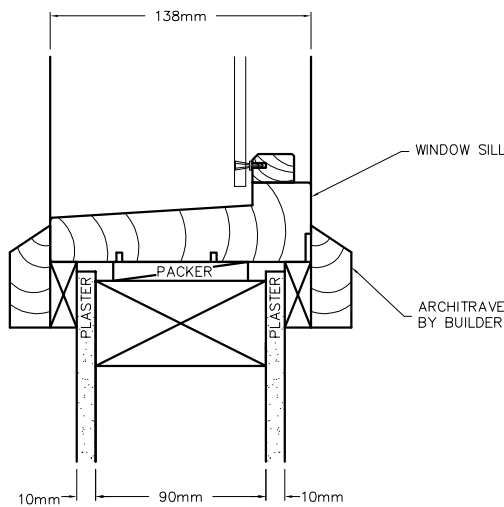
Typical Head, Sill and Jamb



Head Detail
INTERNAL STUD WALL



Jamb Detail
INTERNAL STUD WALL

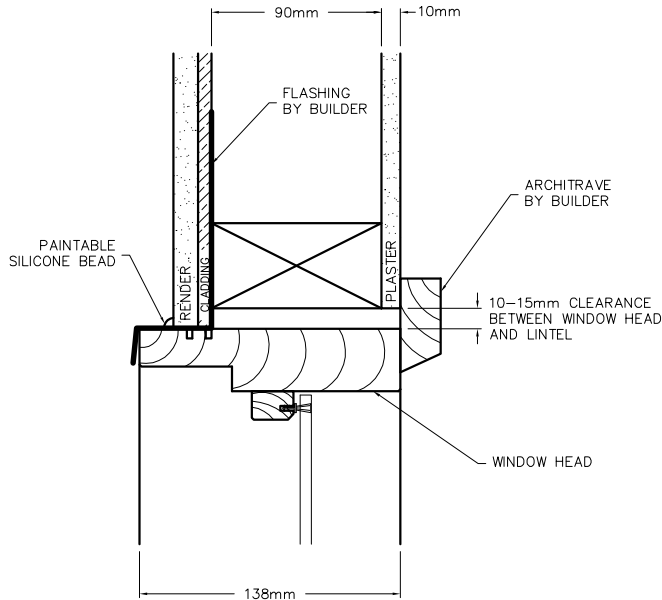


Sill Detail
INTERNAL STUD WALL

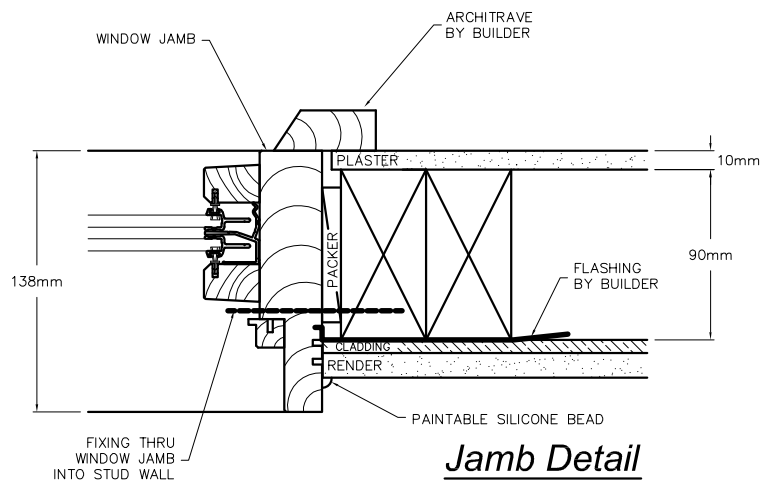
SASHLESS DOUBLE HUNG WINDOWS

BUILD IN DETAILS BLUEBOARD CLADDING WITH RENDER 138mm Allround Jamb

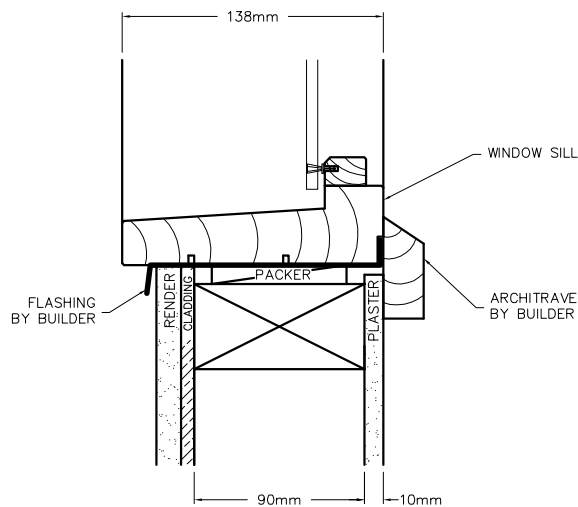
Typical Head, Sill and Jamb



Head Detail
BLUEBOARD CLADDING



Jamb Detail
BLUEBOARD CLADDING



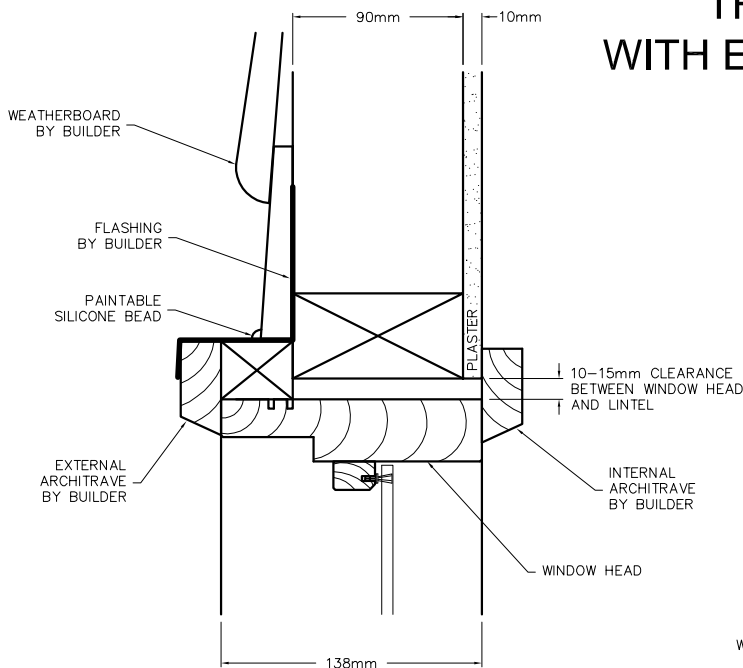
Sill Detail
BLUEBOARD CLADDING

SASHLESS DOUBLE HUNG WINDOWS

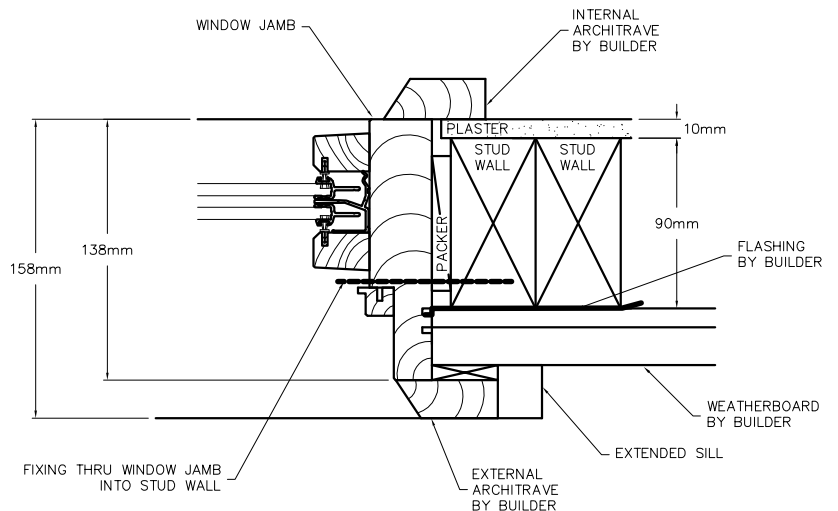
BUILD IN DETAILS

TRADITIONAL WEATHERBOARD WITH EXTERNAL ARCHITRAVES AND EXTENDED SILL 138mm Jamb/158mm Sill

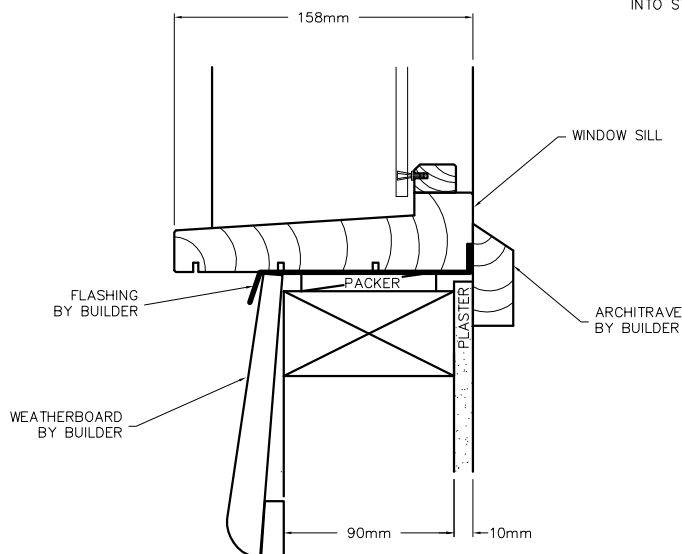
Typical Head, Sill and Jamb



Head Detail
TRADITIONAL WEATHERBOARD



Jamb Detail
TRADITIONAL WEATHERBOARD

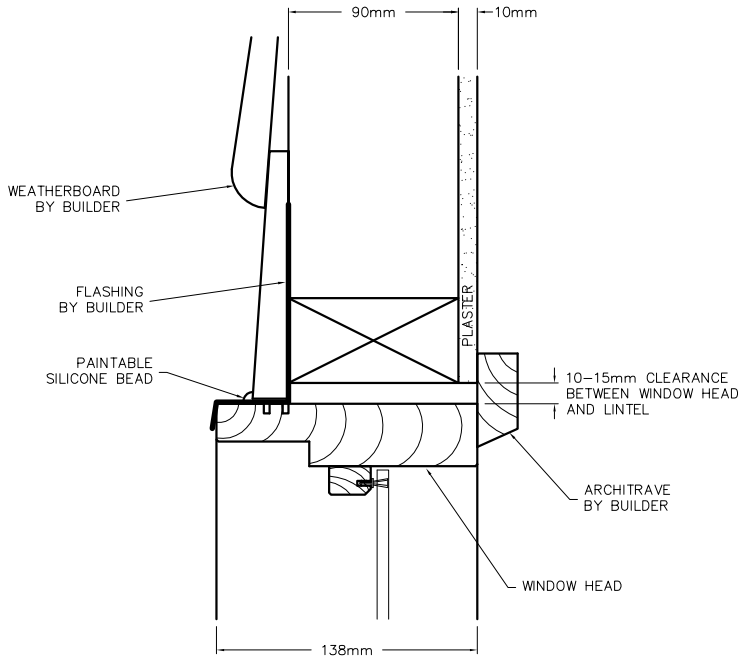


Sill Detail
TRADITIONAL WEATHERBOARD

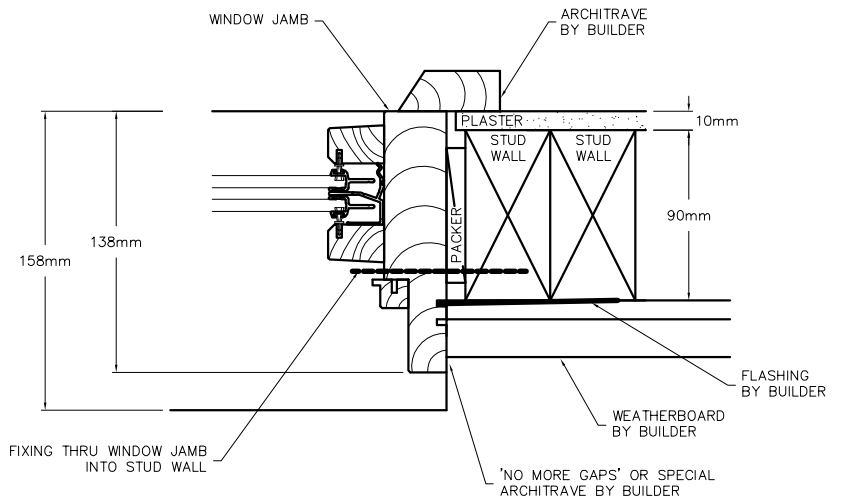
SASHLESS DOUBLE HUNG WINDOWS

BUILD IN DETAILS STANDARD WEATHERBOARD 138mm Jamb/158mm Sill

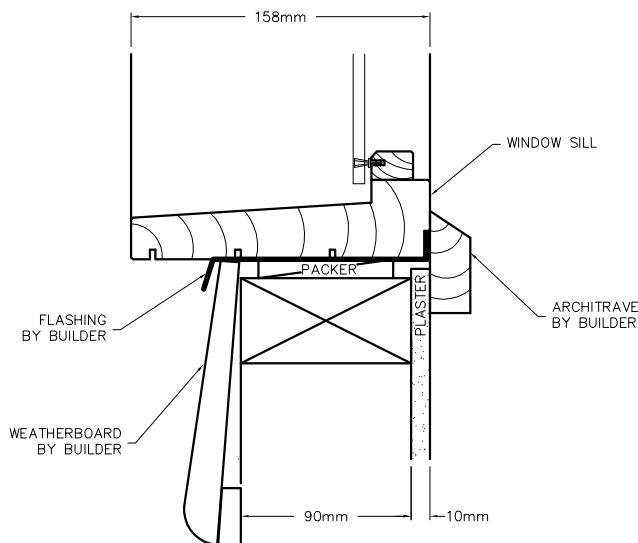
Typical Head, Sill and Jamb



Head Detail
STD. WEATHERBOARD



Jamb Detail
STD. WEATHERBOARD

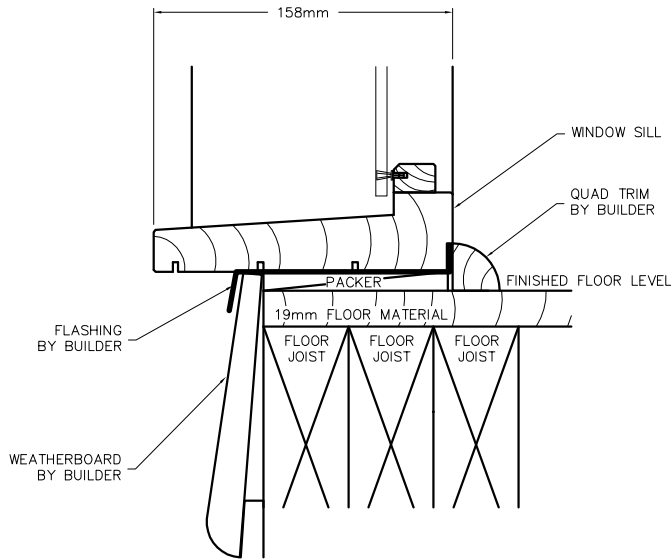


Sill Detail
STD. WEATHERBOARD

SASHLESS DOUBLE HUNG WINDOWS

BUILD IN DETAILS
STANDARD WEATHERBOARD
 138mm Jamb/158mm Sill

Alternative Sill Details



Floor Level Sill Detail
STD. WEATHERBOARD

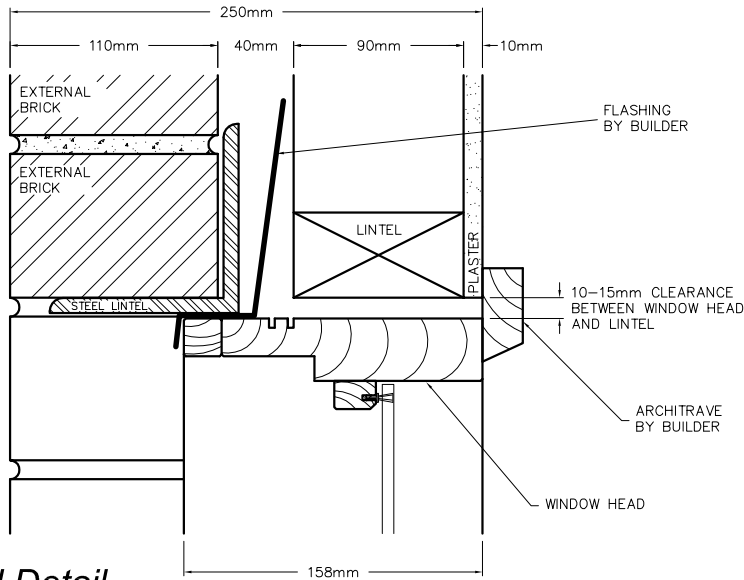
SASHLESS DOUBLE HUNG WINDOWS

BUILD IN DETAILS

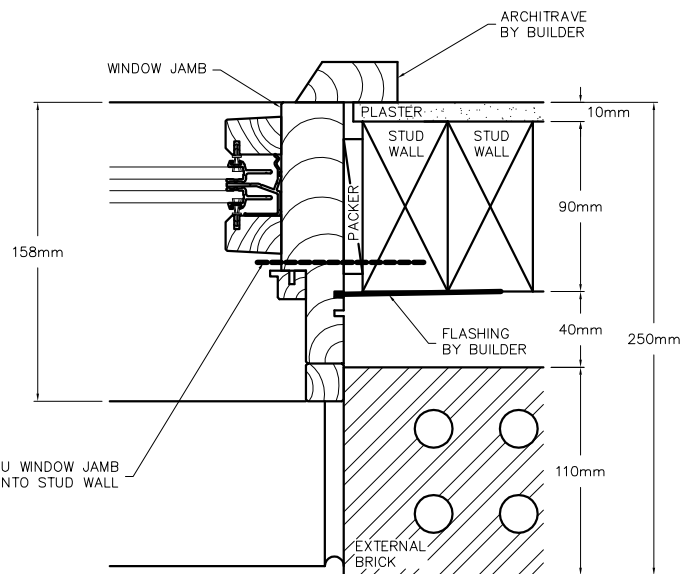
BRICK VENEER

158mm Allround Jamb

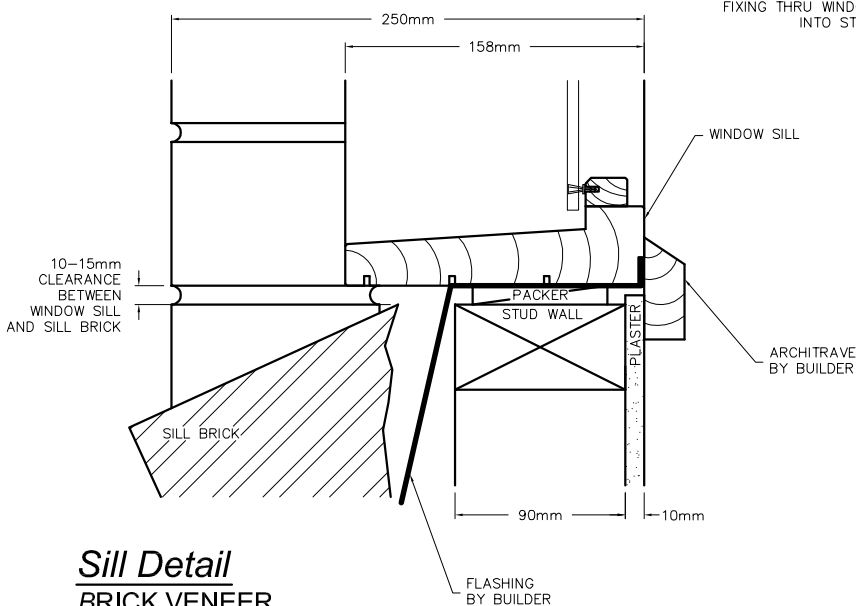
Typical Head, Sill and Jamb



Head Detail
BRICK VENEER



Jamb Detail
BRICK VENEER



Sill Detail
BRICK VENEER

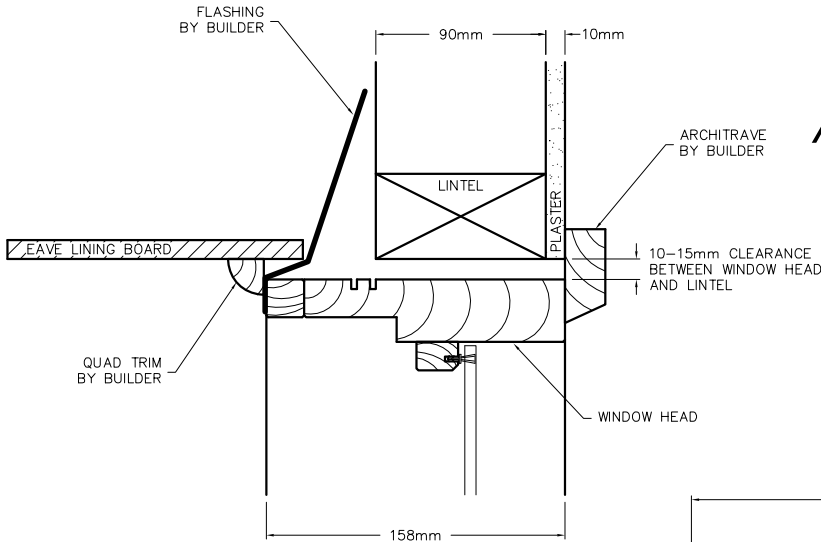
SASHLESS DOUBLE HUNG WINDOWS

BUILD IN DETAILS

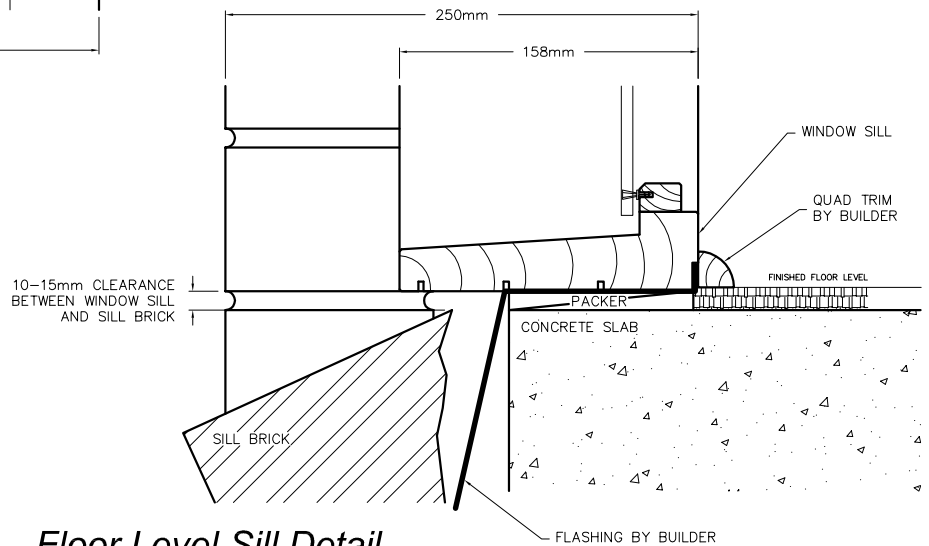
BRICK VENEER

158mm Allround Jamb

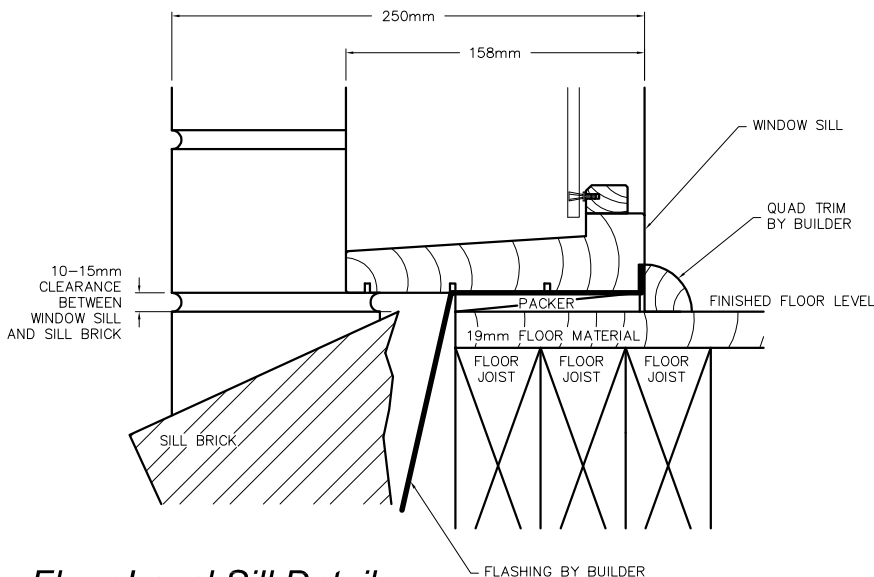
Alternative Head and Sill Details



Head Detail
UNDER EAVES



Floor Level Sill Detail
BRICK VENEER ON CONCRETE SLAB



Floor Level Sill Detail
BRICK VENEER WITH TIMBER FLOOR

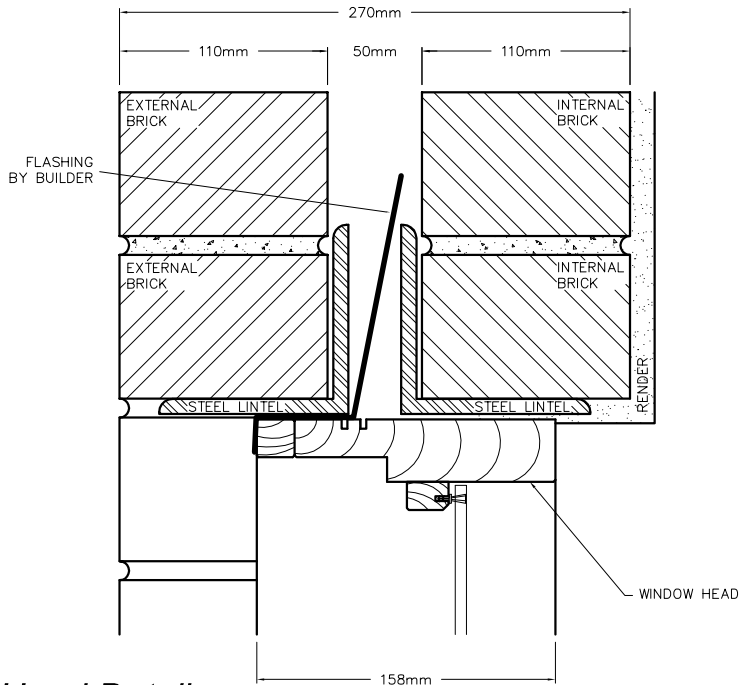
SASHLESS DOUBLE HUNG WINDOWS

BUILD IN DETAILS

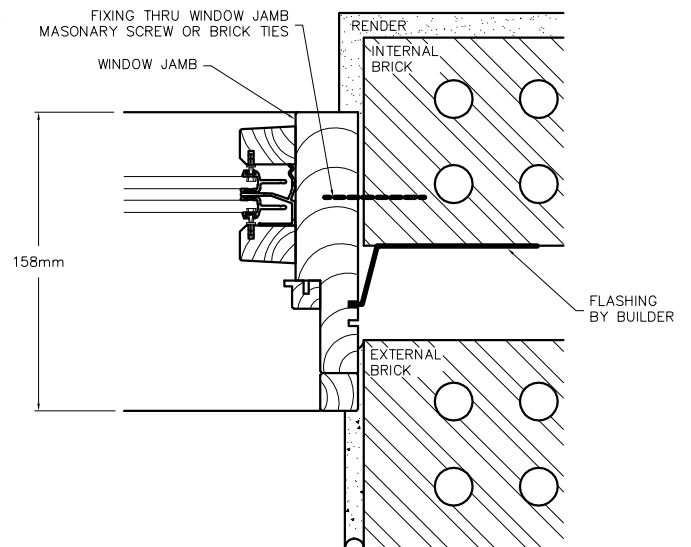
DOUBLE BRICK

158mm Allround Jamb

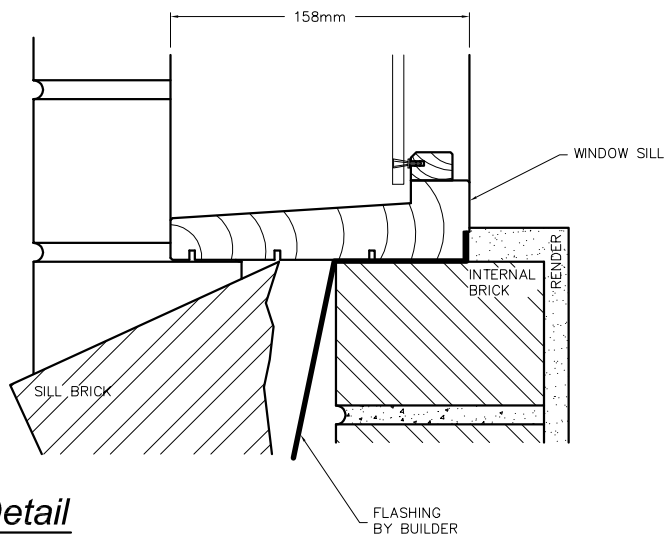
Typical Head, Sill and Jamb



Head Detail
DOUBLE BRICK



Jamb Detail
DOUBLE BRICK



Sill Detail
DOUBLE BRICK

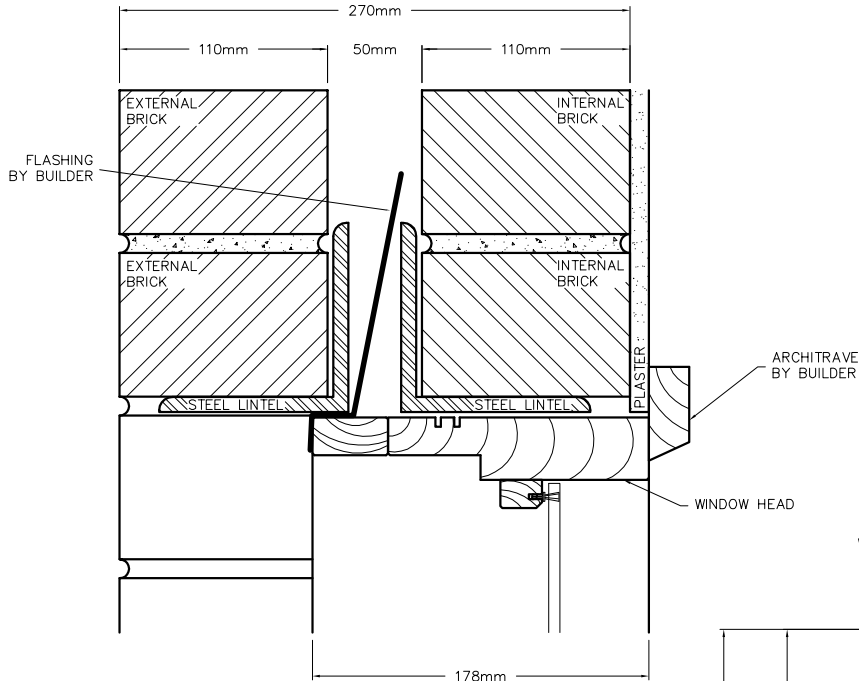
SASHLESS DOUBLE HUNG WINDOWS

BUILD IN DETAILS

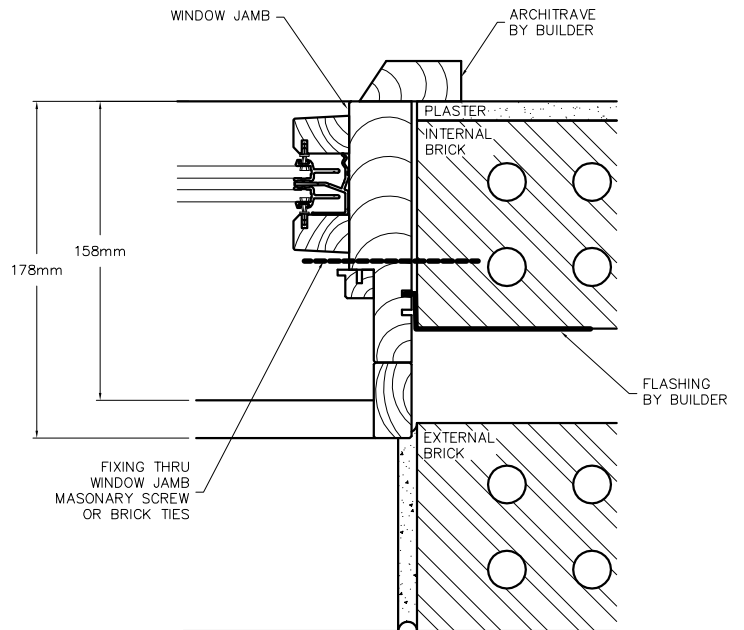
DOUBLE BRICK

178mm Jamb/158mm Sill

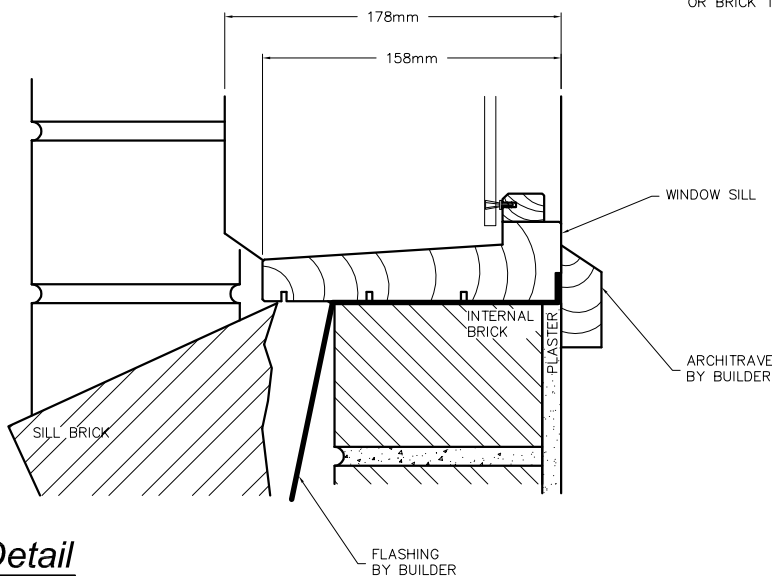
Typical Head, Sill and Jamb



Head Detail
DOUBLE BRICK



Jamb Detail
DOUBLE BRICK



Sill Detail
DOUBLE BRICK

Canterbury

Windows & Doors

a better outlook on life

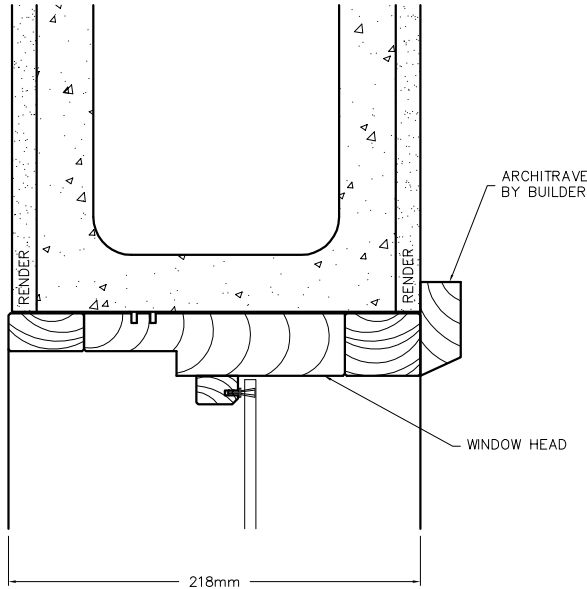
SASHLESS DOUBLE HUNG WINDOWS

BUILD IN DETAILS

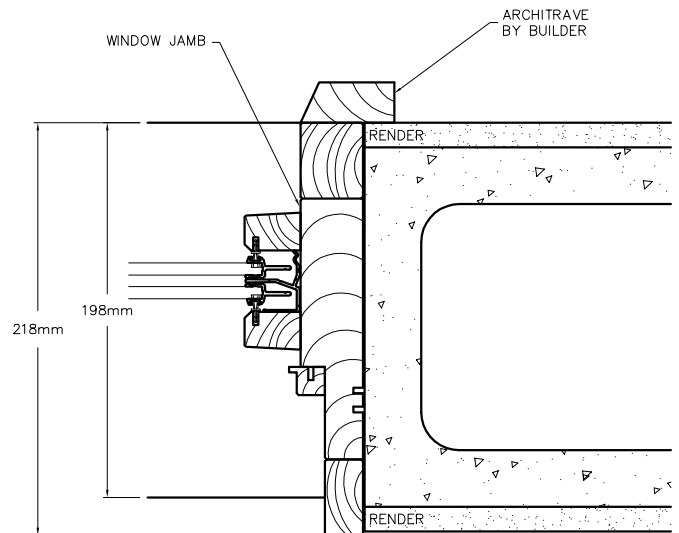
BLOCKWORK

218mm Jamb/198mm Sill

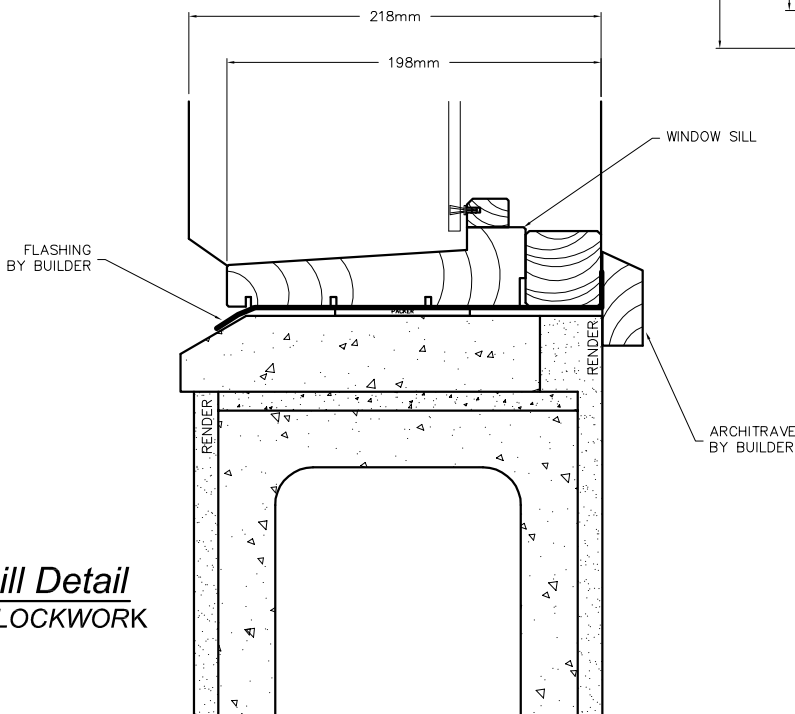
Typical Head, Sill and Jamb



Head Detail
BLOCKWORK



Jamb Detail
BLOCKWORK



Sill Detail
BLOCKWORK