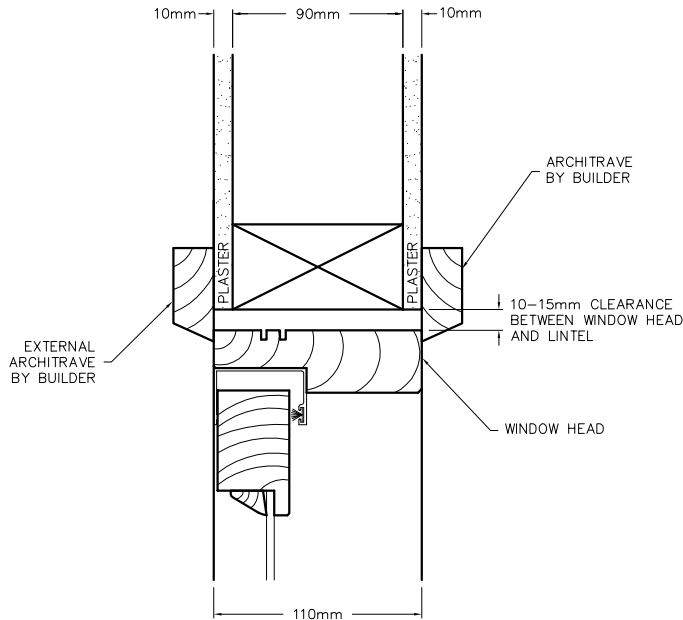
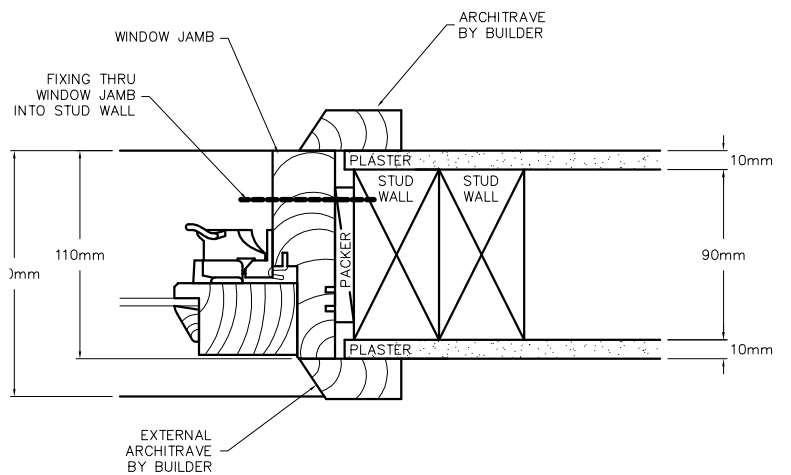


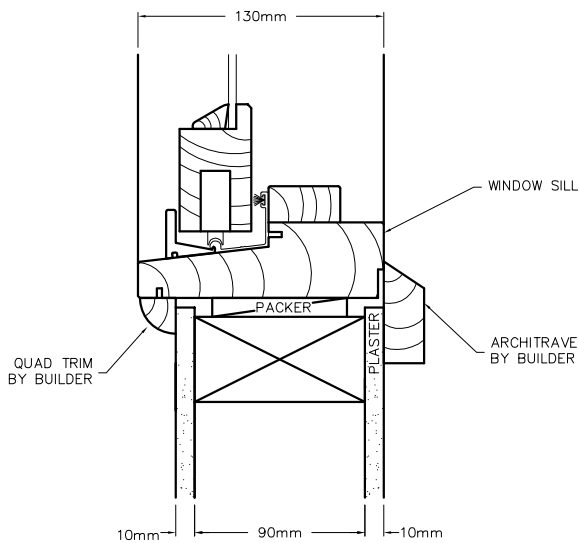
### Typical Head, Sill and Jamb



**Head Detail**  
STUD WALL



**Jamb Detail**  
STUD WALL



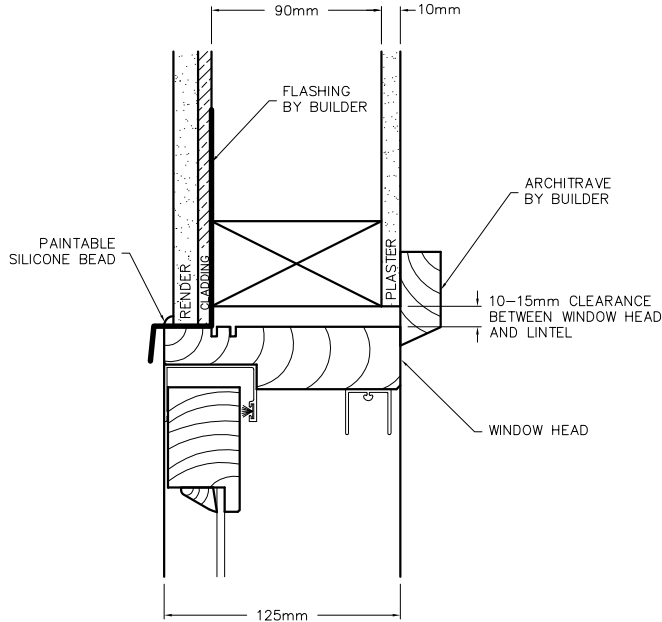
**Sill Detail**  
STUD WALL

## BUILD IN DETAILS

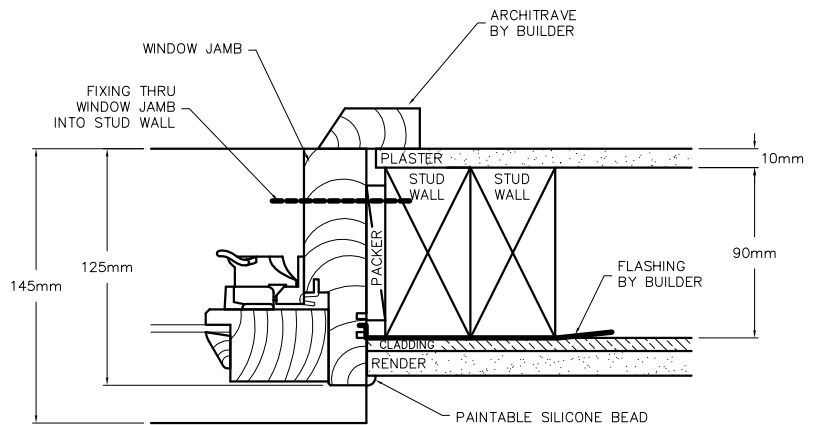
### BLUEBOARD CLADDING WITH RENDER

#### 125mm Jamb/145mm Sill

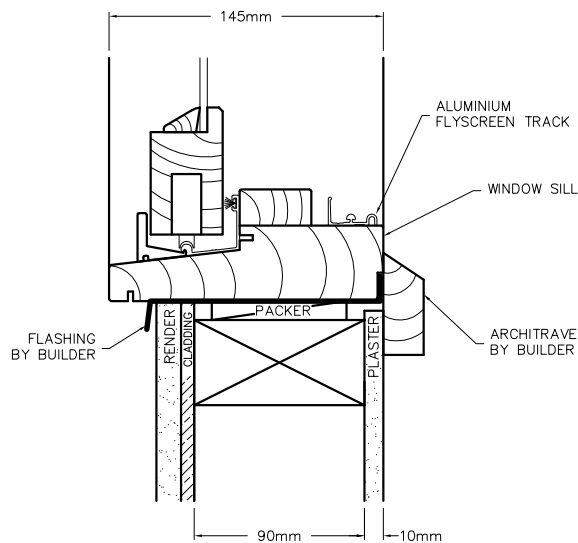
*Typical Head, Sill and Jamb*



**Head Detail**  
BLUEBOARD CLADDING



**Jamb Detail**  
BLUEBOARD CLADDING

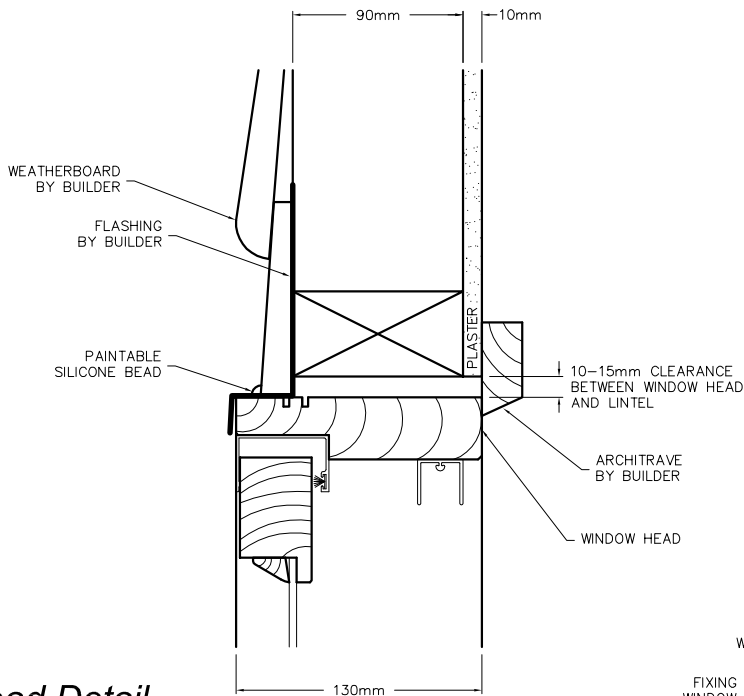


**Sill Detail**  
BLUEBOARD CLADDING

## BUILD IN DETAILS

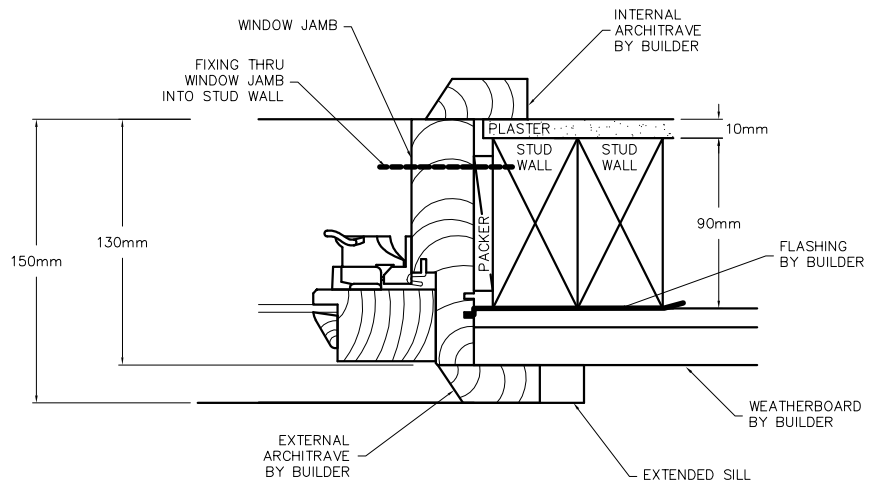
### TRADITIONAL WEATHERBOARD WITH EXTERNAL ARCHITRAVES AND EXTENDED SILL 130mm Jamb/150mm Sill

*Typical Head, Sill and Jamb*



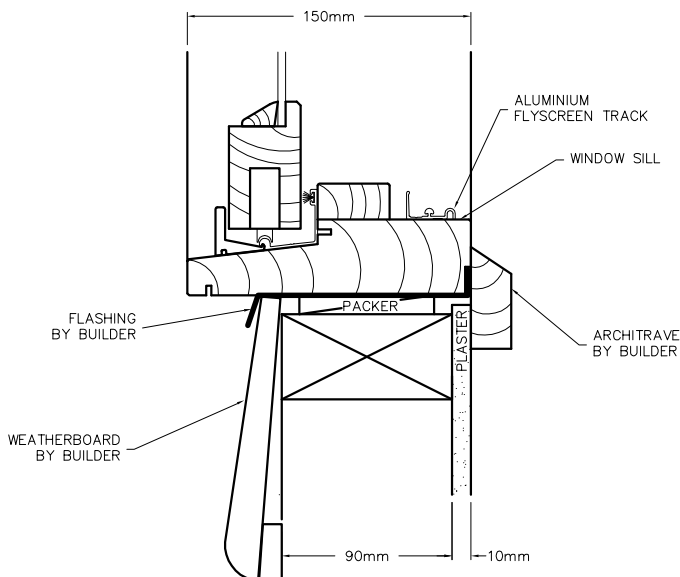
#### Head Detail

TRADITIONAL WEATHERBOARD



#### Jamb Detail

TRADITIONAL WEATHERBOARD

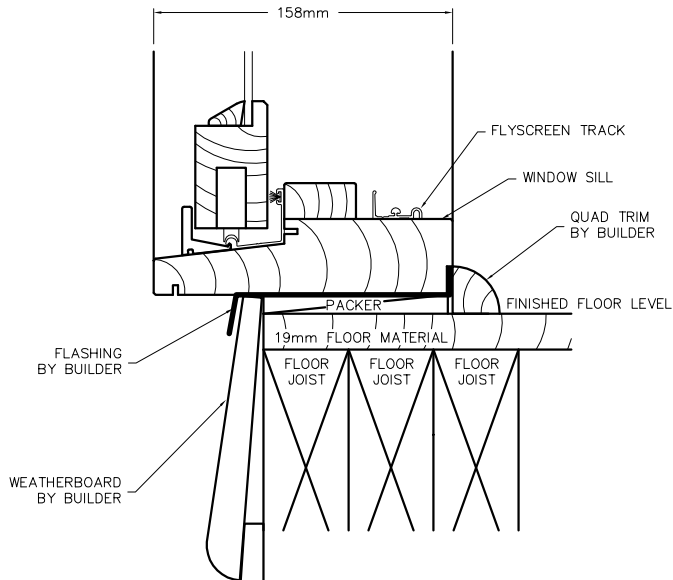


#### Sill Detail

TRADITIONAL WEATHERBOARD

**BUILD IN DETAILS**  
**STANDARD WEATHERBOARD**  
138mm Jamb/158mm Sill

*Alternative Sill Details*



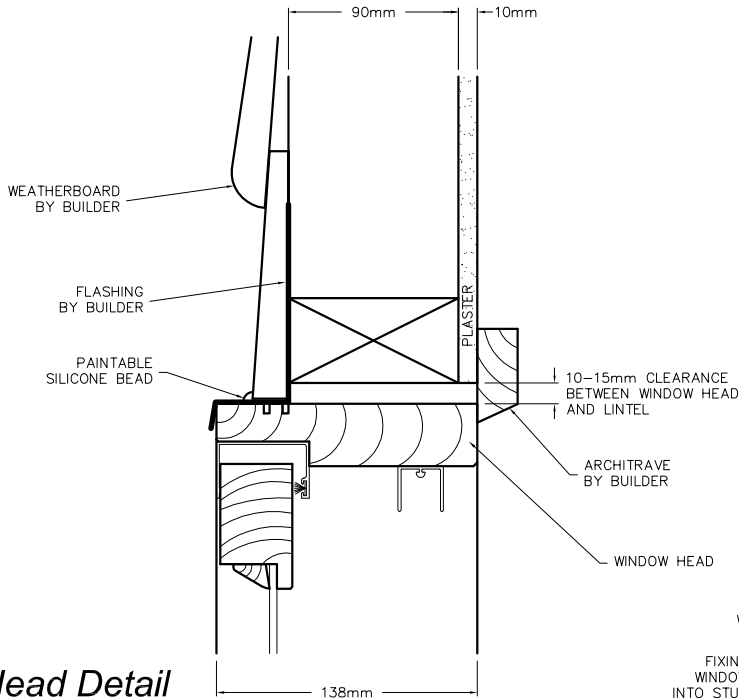
**Floor Level Sill Detail**  
**STD. WEATHERBOARD**

## BUILD IN DETAILS

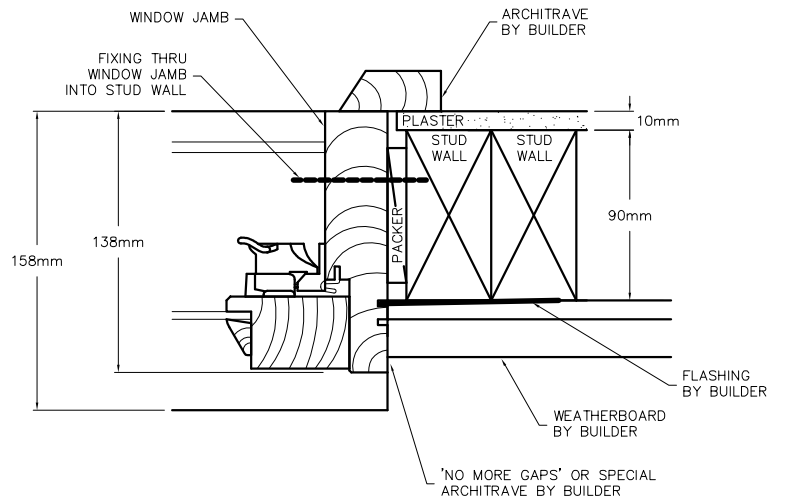
### STANDARD WEATHERBOARD

138mm Jamb/158mm Sill

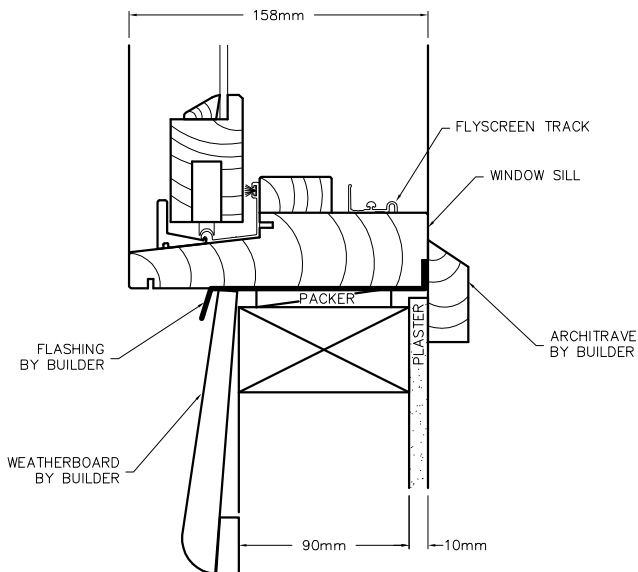
*Typical Head, Sill and Jamb*



**Head Detail**  
STD. WEATHERBOARD



**Jamb Detail**  
STD. WEATHERBOARD



**Sill Detail**  
STD. WEATHERBOARD

# Canterbury

Windows & Doors

*a better outlook on life*

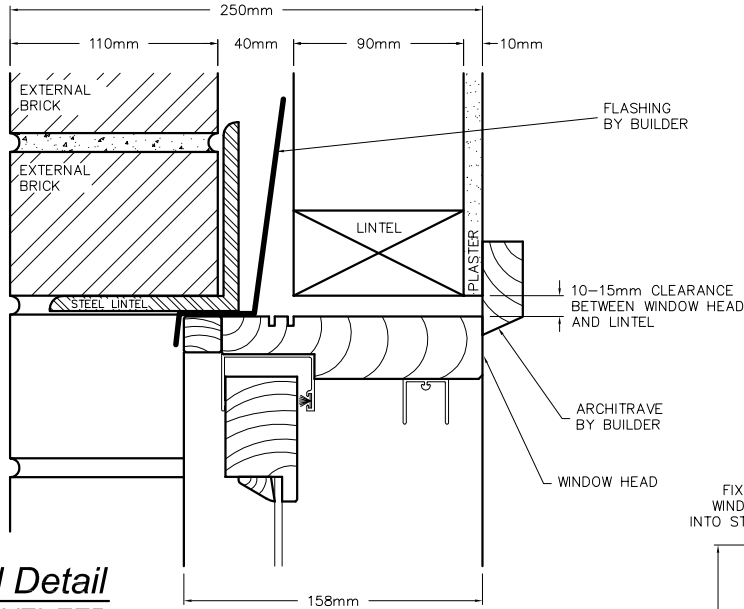
# SLIDING WINDOWS

## BUILD IN DETAILS

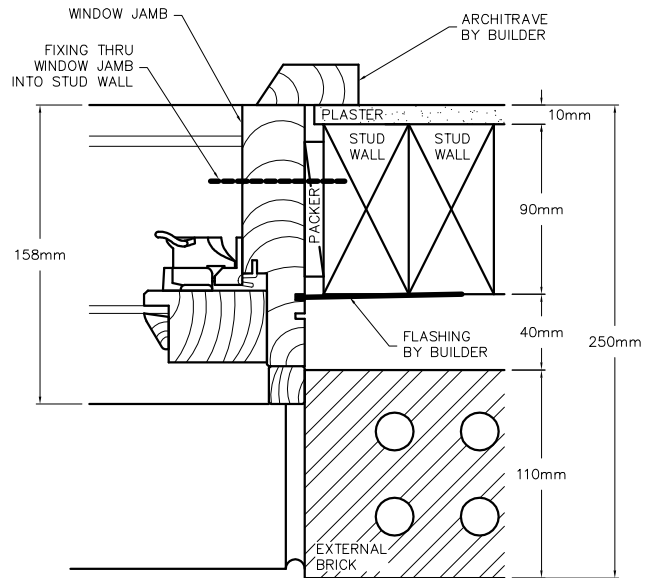
### BRICK VENEER

### 158mm Allround Jamb

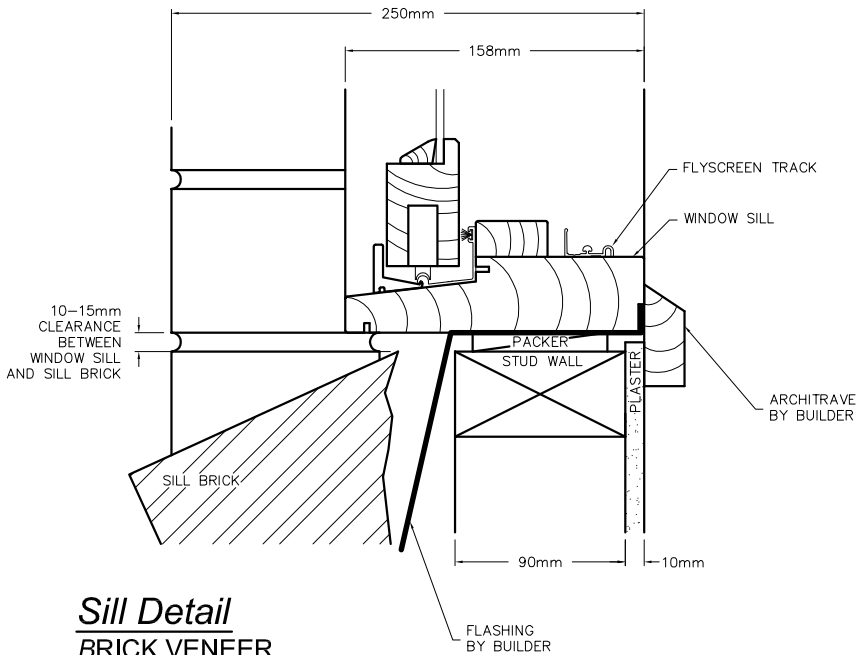
### Typical Head, Sill and Jamb



**Head Detail**  
BRICK VENEER

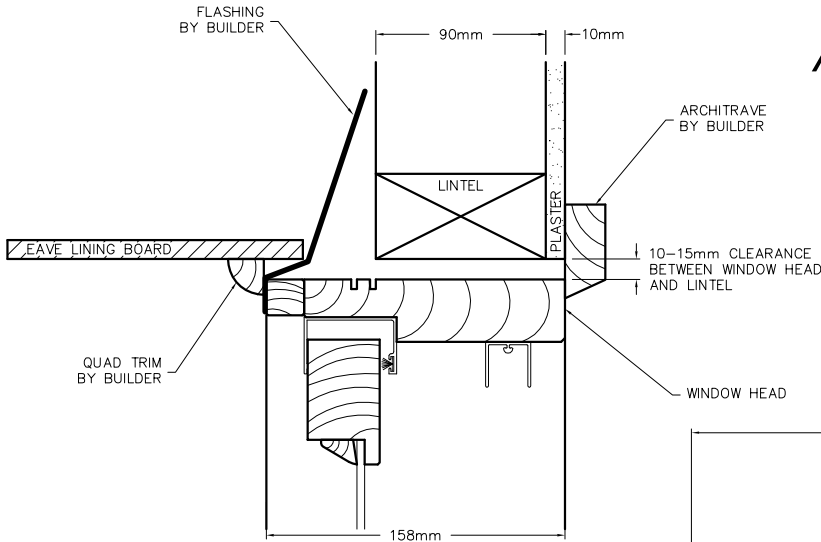


**Jamb Detail**  
BRICK VENEER

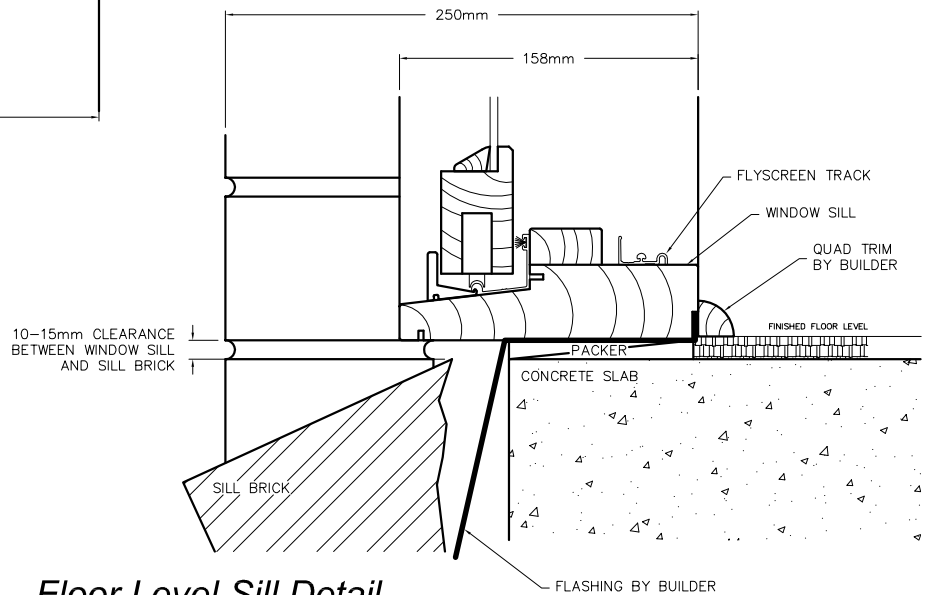


**Sill Detail**  
BRICK VENEER

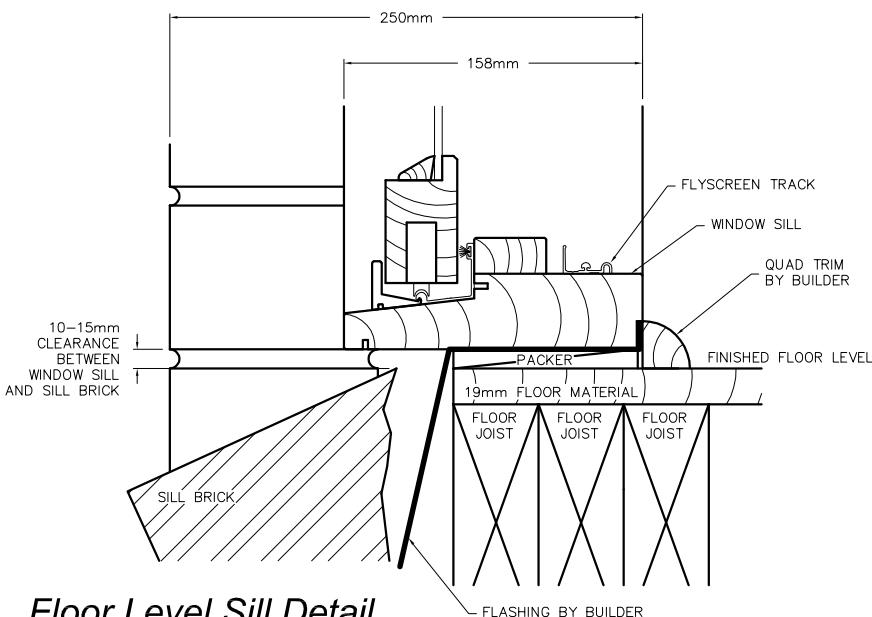
## Alternative Head and Sill Details



**Head Detail**  
**UNDER EAVES**

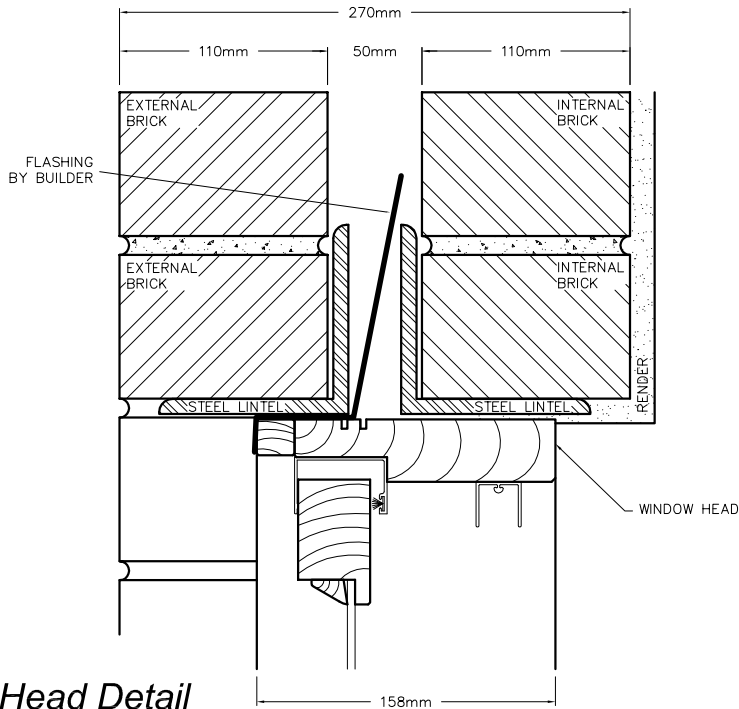


**Floor Level Sill Detail**  
**BRICK VENEER ON CONCRETE SLAB**

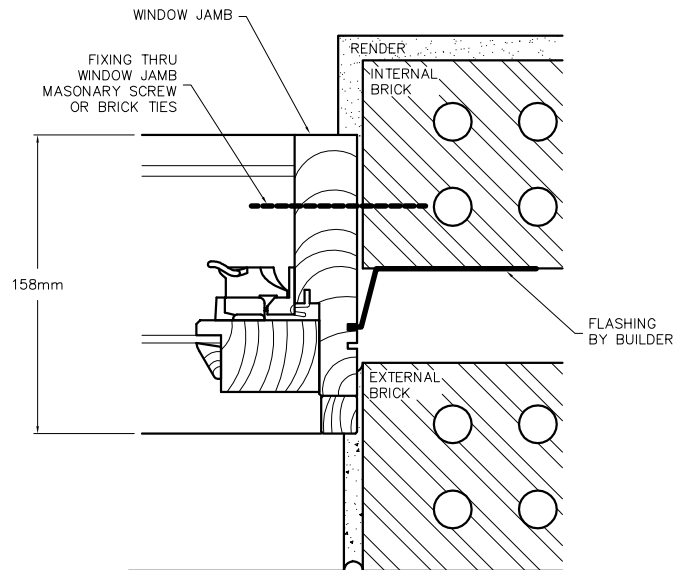


**Floor Level Sill Detail**  
**BRICK VENEER WITH TIMBER FLOOR**

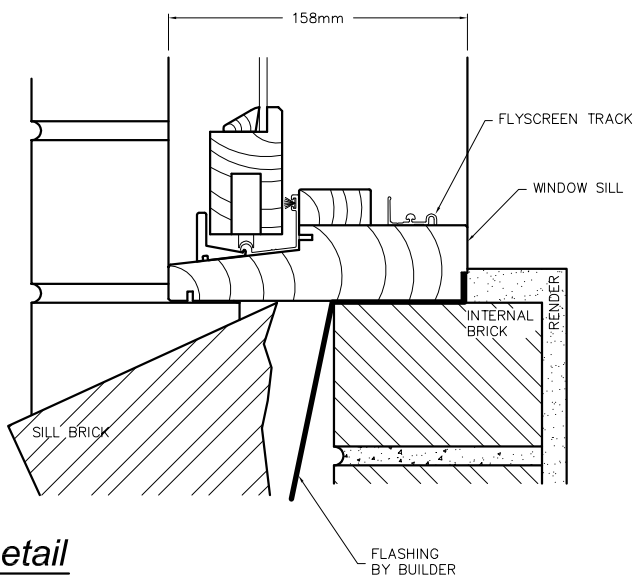
### Typical Head, Sill and Jamb



**Head Detail**  
**DOUBLE BRICK**



**Jamb Detail**  
**DOUBLE BRICK**



**Sill Detail**  
**DOUBLE BRICK**



# Canterbury

Windows & Doors

*a better outlook on life*

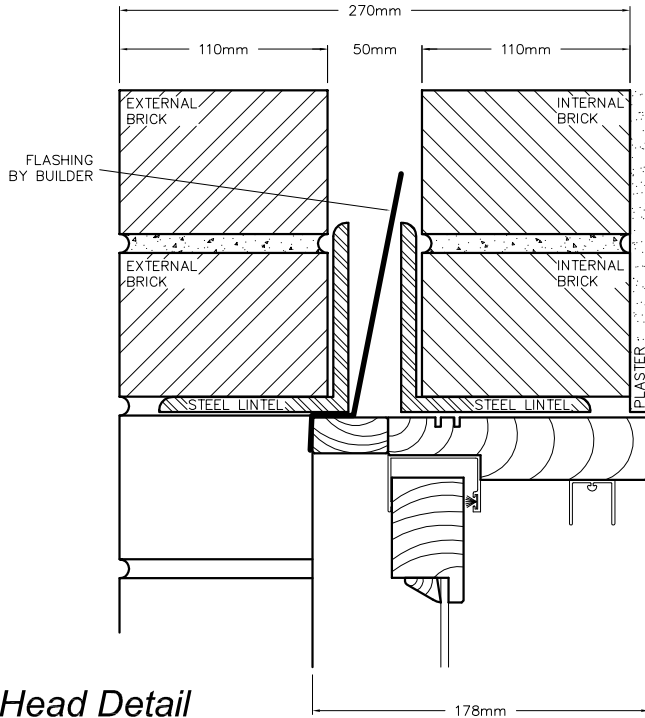
# SLIDING WINDOWS

## BUILD IN DETAILS

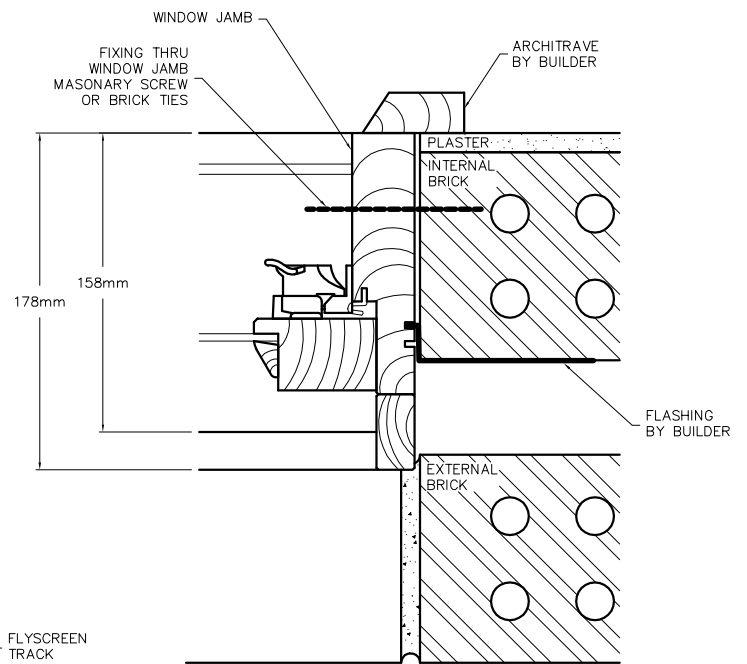
### DOUBLE BRICK

178mm Jamb/158mm Sill

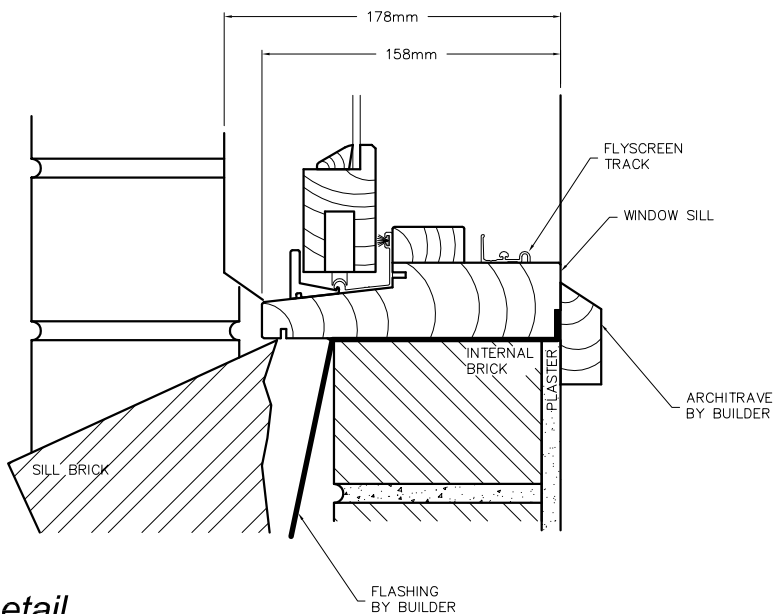
### Typical Head, Sill and Jamb



**Head Detail**  
DOUBLE BRICK



**Jamb Detail**  
DOUBLE BRICK



**Sill Detail**  
DOUBLE BRICK

# Canterbury

Windows & Doors

*a better outlook on life*

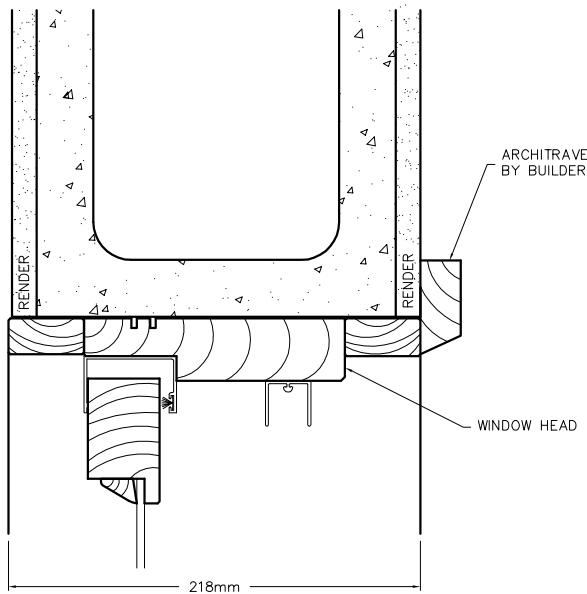
# SLIDING WINDOWS

## BUILD IN DETAILS

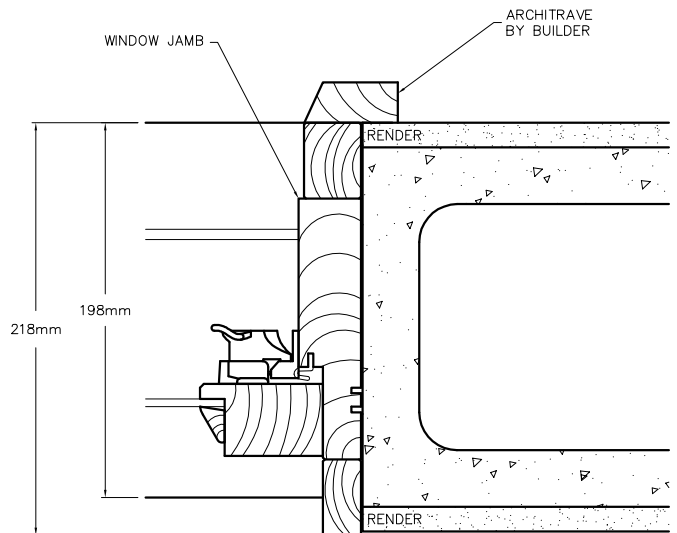
### BLOCKWORK

218mm Jamb/198mm Sill

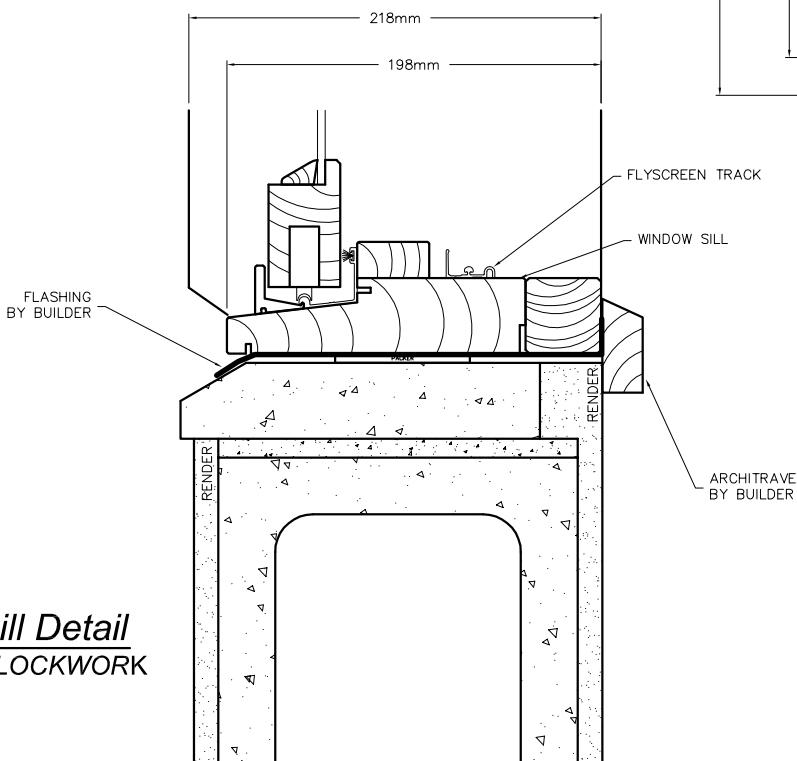
*Typical Head, Sill and Jamb*



Head Detail  
BLOCKWORK



Jamb Detail  
BLOCKWORK



Sill Detail  
BLOCKWORK