

Care & Installation Instruction

Sliding Door Installation Instructions

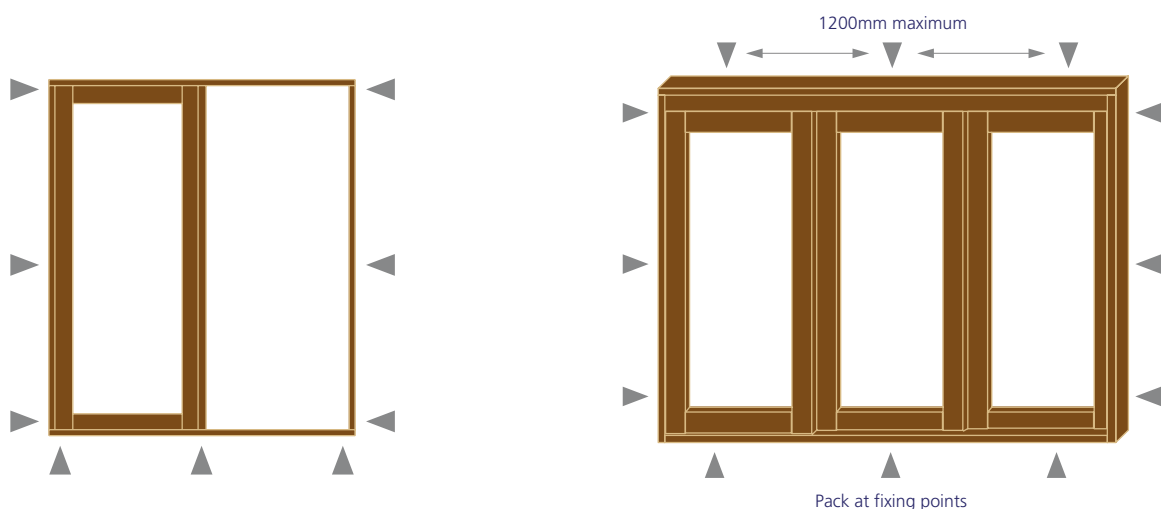
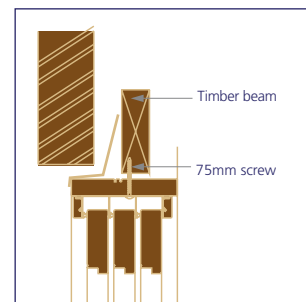
- 1 Fit flashing to sills, and where required to stiles and head.
- 2 The complete unit should be installed square.
- 3 Correctly pack all frame member joints without bowing.
- 4 Sill to be straight and levelled with packers under sill, in line with frame members.
- 5 Allow a minimum of 10mm clearance between window sill and external sill bricks on brick veneer construction.
- 6 Frame to be secured by backnailing and packed accordingly. (Fixings through exposed timber should be hot tip galvanised steel, 300 series stainless steel or silicone bronze. Do not use uncoated steel fixings through timber or steel wool for dressing timber.)
- 7 Head to be straight and NOT load bearing.
- 8 Frame head clearance minimum 13mm. Plaster head and stile clearance minimum 6mm.
- 9 Recheck that sill and head are straight and level before fixing architraves.
- 10 After installation remove racking braces where fitted.
- 11 Adjustment may be taken up by adjusting screws in the bottom of the door panel.

Trislide Door Pre-Installation Instructions

- 1 A beam must be fitted above all Trislide Door units to allow the head of the Trislide to be screwed into. Failure to screw the head to the beam will result in the Trislide Door head dropping and poor operation of the unit.

Trislide Door Installation Instructions

- 2 Fit flashing to sill and where required to stiles and head.
- 3 The complete unit must be installed square, plumb and level. The unit will not operate successfully with a bowed sill or a dropped head.
- 4 Fix the Trislide Door head to the beam as per illustrations below.
- 5 Frame to be secured by backnailing and packed accordingly. Fixings through exposed timber should be hot dip galvanised steel, 300 series stainless steel or silicone bronze. Do not use uncoated steel fixings or steel wool for dressing timber.



NOTE: AS2047 sets out requirements for installation of timber windows in buildings. It is the responsibility of the installer to properly adjust windows and doors as per instructions.

NOTE: AS2047 sets out requirements for installation of timber windows in buildings. It is the responsibility of the installer to properly adjust windows and doors as per instructions.